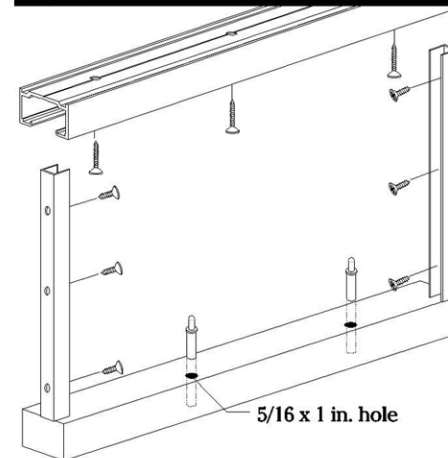
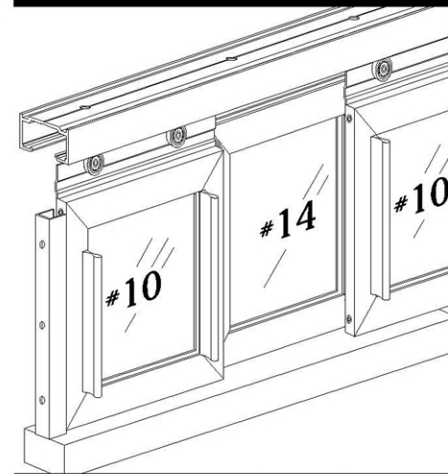
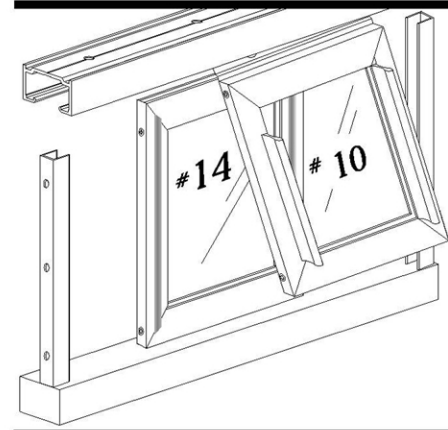
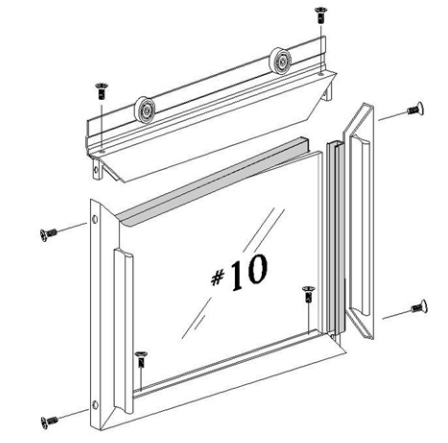


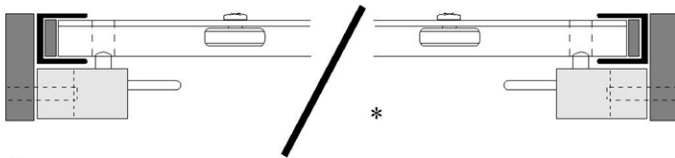
Installation & Assembly Instructions

“Fawn” Model D1027A/DU and D1028A/DU

1. Glaze frames by matching color coded dots, using glazing vinyl supplied.
2. Mount overhead track in existing opening. *
Hang sliding frames on overhead track by tilting at a slight angle.
3. Place side jambs to align with the corresponding sliding frames.* Mark the retractable guide location on the countertop 1/2 inch “in” from the end of the frame.
4. Remove sliding frames.
5. With 5/16 inch drill bit, drill 1 inch deep on locations.
6. Mount 1/4 inch bar stock top & bottom to support fixed frame.*
7. Mount D53 catch to frame as shown,* and drill a hole to accommodate the 1/4 inch diameter locking pin.



**Top plan view for mounting
D53 right or left catch**



* Mounting screws supplied by others